

bourdon tube pressure gauges with microswitch, DS 4" (100mm)



CE Compliance with requirements of
LVD 2014/35/EU - PED 2014/68/EU

These instruments are designed for use in conventional power plants, where they ensure the safe and reliable automatic regulation of hydraulic, oleodynamic and fluid circuits.

1.72.1 - Standard Model

Design: EN837-1.

Safety designation: S1 as per EN 837-2.

Ranges: from 0...30 to 0...10000 psi (from 0...1,6 to 0...600 bar or equivalent units).

Accuracy: class 2,5 as per EN 837-1.

Ambient temperature: -13...+149 °F (-25...+65 °C).

Process fluid temperature: 13...+149°F
(-25...+65 °C) for ranges ≤ 580 psi (40 bar); -13...+
248°F (-25...+120 °C) for ranges ≥ 870 psi (60 bar).

Working pressure: max 75% of the FSV.

Overpressure: not suitable.

Protection degree: IP 44 as per EN 60529/IEC 529.

Electrical specifications: N. 1 SPDT microswitch.

Contact setting: between 10% and 75% of FSV.

Differential: fixed, between 2% and 4% of FSV.

Socket material: copper alloy.

Bourdon tube: copper alloy for ranges ≤ 580 psi (40 bar); AISI 316L st.st. for ranges > 870 psi (60 bar).

Case: stainless steel.

Ring: stainless steel, bayonet lock.

Window: plastic.

Movement: stainless steel.

Dial: aluminium, white with black markings.

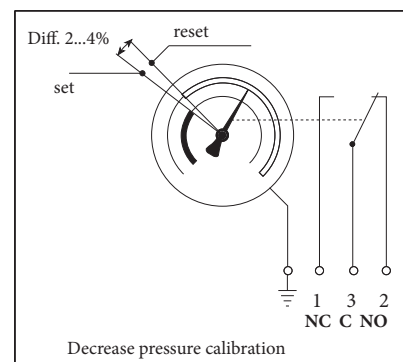
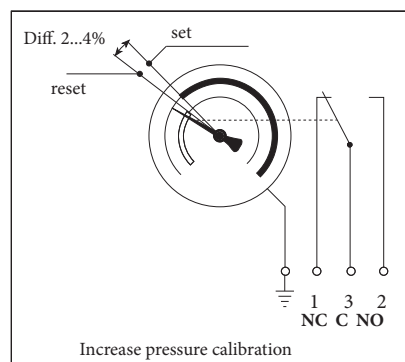
Pressure pointer: aluminium, black.

Set pointer: aluminium, red.

Adjusting key: plastic, removable.

Junction box: glass fibre reinforced poliammid with cable exit ø 0.23...0.35" (6...9 mm) as per EN 175301-803 (Ex DIN 43650).

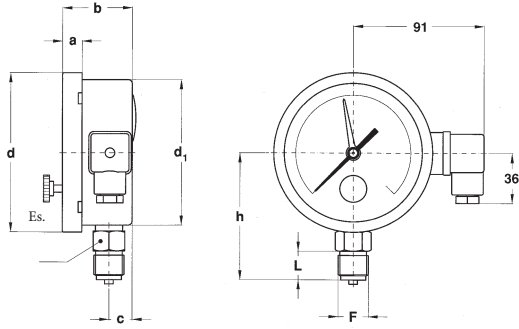
MICROSWITCH: SETTING



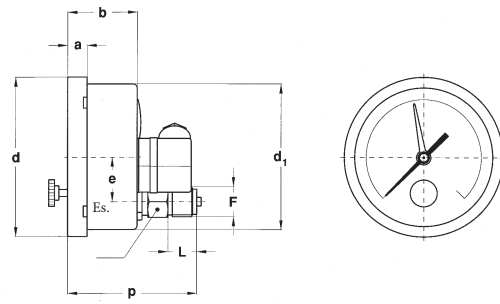
bourdon tube pressure gauges with microswitch, DS 4" (100mm)

MG572

RC2 - 08/14



A - LOWER CONNECTION



D - BACK CONNECTION

Mounting	F	a	b	c	d	d ₁	e	h	p	L	Es.	Weight
Lower	41M - G 1/2 A	0.51" (13)	1.90" (48,5)	0.62" (16)	4.35" (110,6)	3.97" (101)	1.22" (31)	3.48" (88,5)	3.65" (90)	0.78" (20)	0.86" (22)	1.32 lbs (0,6 kg)
Back												

dimensions : inches (mm)

RATING LOAD

Volt	DC	AC	Inductive load
220	0,3 A	4 A	4 A
110	0,4 A	4 A	4 A
48	4 A	4 A	4 A
24	4 A	4 A	4 A

WIRING

Wiring	Junction box	Cable
NC	Contact N.°1	Brown
NO	Contact N.°2	Black
C	Contact N.°3	Blue
Ground	Ground	Yellow-Green

OPTIONS

RSV - Under-glass adjusting (IP 55 protection degree)
D30 - Differential between 6% and 10% of FSV (for ranges ≥ 60 psi - 2,5 bar)
S06 - Brass restrictor $\varnothing 0.015"$ (0,4 mm) for ranges ≤ 600 psi (40 bar)
T40 - Calibration for pressure decrease

"HOW TO ORDER" SEQUENCE

Section / Model / Case / Mounting / Diameter / Range / Process connection / Options
1 72 1 A E 41M RSV...T40
D